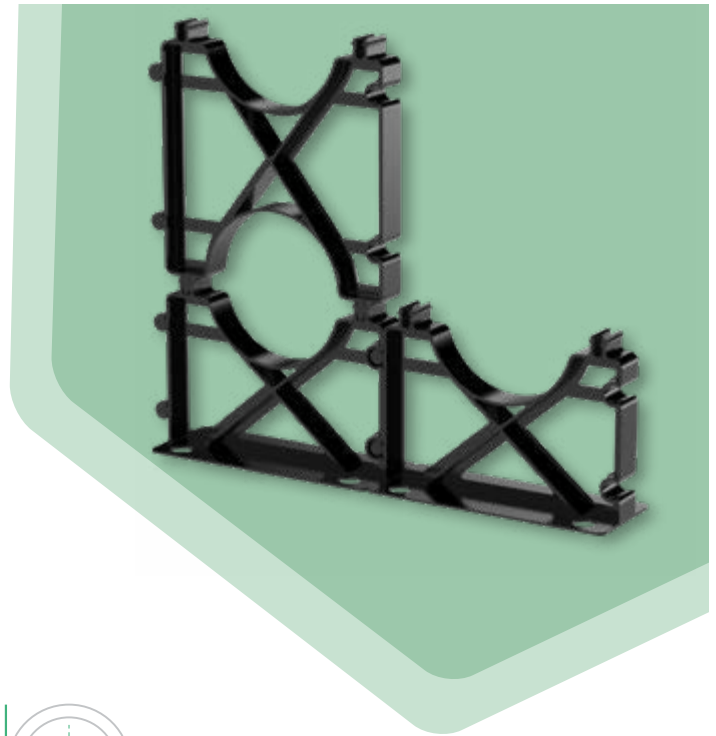


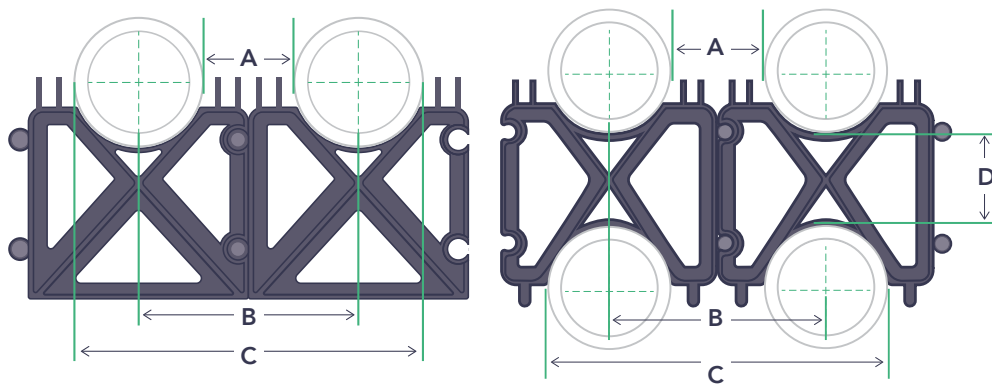
STANDARD ACCESSORIES

# DUCT SPACERS

- ▶ Used to support duct arrays within trenches
- ▶ Available in intermediate and base configurations that snap into place
- ▶ Made from high-impact polymers
- ▶ Interlock vertically and horizontally
- ▶ Lightweight for easy transport and assembly
- ▶ Can be direct buried
- ▶ Made from recycled materials and are recyclable
- ▶ Available in additional sizes and configurations upon request
- ▶ Packaging UOM is Each for all products listed below



## TECHNICAL SPECIFICATIONS



- A: Between Conduit Horizontal (IN)
- B: Center to Center of Conduit (IN)
- C: Outside to Outside of Conduit (IN)
- D: Between Conduit Vertical (IN)

DESCRIPTION	DUCT NOMINAL OD (IN)	SPACER H X W (IN)	A (IN)	B (IN)	C (IN)	D (IN)	PART #
2" Duct Spacer Base with 2" separation	2.375	3.65 x 4.50	2	4.50	7.00		20094981
2" Duct Spacer Intermediate with 2" separation	2.375	4.46 x 4.50	2	4.50	6.83	2	20094982
3" Duct Spacer Base with 2" separation	3.500	4.17 x 5.62	2	5.62	9.37		20094983
3" Duct Spacer Intermediate with 2" separation	3.500	5.60 x 5.60	2	5.60	9.25	2	20094984
4" Duct Spacer Base with 1" separation	4.500	3.40 x 5.62	1	5.62	10.20		20095975
4" Duct Spacer Intermediate with 1" separation	4.500	5.62 x 5.62	1	5.60	10.25	1	20095976
4" Duct Spacer Base with 2" separation	4.500	4.66 x 6.62	2	6.65	11.20		20094985
4" Duct Spacer Intermediate with 2" separation	4.500	6.62 x 6.62	2	6.62	11.25	2	20094986
4" Duct Spacer Base with 3" separation	4.500	4.67 x 7.61	3	7.60	12.15		20095977
4" Duct Spacer Intermediate with 3" separation	4.500	7.64 x 7.63	3	6.60	10.25	3	20095978
6" Duct Spacer Base with 2" separation	6.625	5.72 x 8.71	2	8.71	15.50		20095785
6" Duct Spacer Intermediate with 2" separation	6.625	8.72 x 8.71	2	8.71	15.00	2	20095787



An Orbia Connectivity Solutions business.

+1 800 847 7661  
WWW.DURALINE.COM

